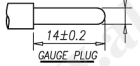
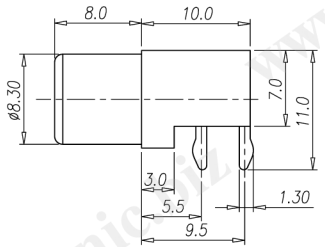
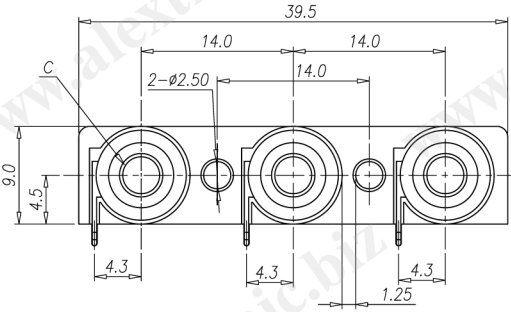


CATEGORY	DESCRIPTION	P/N #
CONNECTOR	RCA Jack, 1*3 Ports, R/A, T/H	RJ062R-13060-XX00

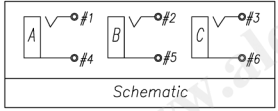
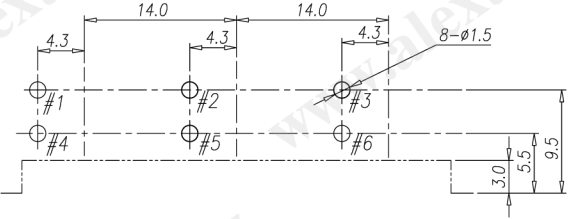
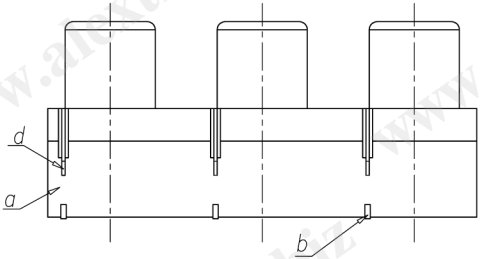
REV.	ECN NO	DESCRIPTION	REVISED	DATE
A01		New Release	GMC	2010.04.21

RJ062R-13060-XX00
See Color Scheme



SPECIFICATION

1. Voltage and Current Rating: 12V & 1A
2. Contact resistance: 30mΩ MAX.
3. Insulation resistance: 100MQ MIN. @ DC500V
4. Withstand voltage: 500VAC for 1min
5. Insertion Force: 3Kgf MAX.
6. Extraction Force: 0.3Kgf MIN.
7. Withdraw Force for Center Contact: 0.08Kgf MIN.
(Use a OD=3.2± 0.005mm, Length=14±0.2mm Gauge Plug)
8. Terminal Strength: The terminal shall be capable of withstanding a force of 3Kgf applied in any direction for 0.5 secs without losing and breakdown
9. Life test: 1,500 cycles
10. Temperature Range: -25°C~70°C
11. To conform with the "QC-03-045" & "RoHS DIRECTIVE"
12. Solder heat resistance: wave soldering 260° c 5 secs



Recommend PCB Layout
Jack Top View
Tolerance: ±0.05
Recommend PCB Thickness 1.6mm

Color Scheme

XX	A	B	C
13	Yellow	White	Red

NO.	PART NAME	Q'TY	MATERIAL	PLATING & COLOR	Remark
d	Terminal #4, #5, #6	3	Copper Alloy, T=0.3mm	CuSn Plating	
c	Washer	3	PBT UL94V-0	See Color Scheme	
b	Terminal #1, #2, #3	3	Copper Alloy, T=0.5mm	CuSn Plating	
a	Housing	1	PBT UL94V-0	Black	

UNLESS OTHERWISE SPECIFIED TOLERANCES

DECIMALS:	ANGLES:
X : ±0.5	X : ±2°
X.X : ±0.3	X.X : ±1°
X.XX : ±0.2	

SCALE: 1/1	UNIT: mm	DWG. NO:
SIZE: A3	PAGE: 1 OF 1	REV: A01
APPROVED BY	CHECKED BY	PREPARED BY
ZXQ	ZXQ	GMC
CUSTOMER COPY		